



GN 134.1

Linear actuator connectors

Aluminium, same bore dimensions d_1 / s_1 and d_2 / s_2



Specification

Identification No.

No. **2**: with 4 Stainless Steel-Clamping screws DIN 912

Aluminium
plastic coated
black, RAL 9005, textured finish **SW**

Clamping bores not machined

Fastening elements / Transfer elements

- Socket cap screws DIN 912
- Hexagon nuts DIN 985
- Centering bushings, follower

Stainless Steel AISI 304

Information

GN 134.1 linear actuator connectors are normally supplied **mounted** only in connection with a square linear actuator and for function control. The fixing bores for the follower are always located in the lid of the bore d_1 and/or the square s_1 . Centering bushings in the through-hole eliminate the axial clearance. The width of the s_1 square is dimensionally aligned with the play of the square linear actuators.

The square s_2 of the linear actuator connector is supplied not machined in the standard design.

The standard version of the clamping screws are socket cap screws with hexagonal socket DIN 912. They can be replaced by clamping kits [GN 911](#) (article code see table of dimensions).

Accessory

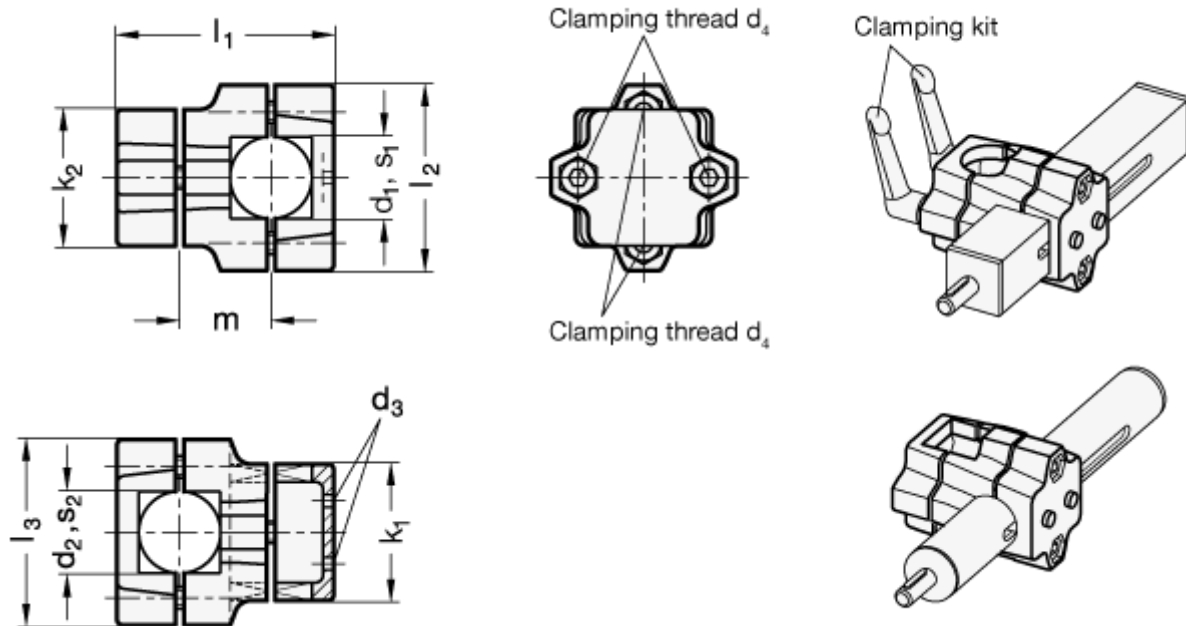
- Clamping kits [GN 911](#)

On request

- Linear actuator connectors with little play
- other bore and square combinations
- [GN 134.2](#) linear actuator connectors for double systems

Technical information

- [Stainless Steel characteristics](#)
-



GN 134.1

Description	d ₁	s ₁	d ₂	s ₂	d ₃	d ₄	k ₁	k ₂	l ₁	l ₂	l ₃	m	Clamping kits for d ₄	Weight
GN 134.1-B30-B30-2-SW	B 30	-	B 30	-	M 4	M 8	50	50	79.5	68	68	33.5	GN 911-M8-32	326
GN 134.1-B40-B40-2-SW	B 40	-	B 40	-	M 5	M 10	76	76	125	98	98	55	GN 911-M10-55	885
GN 134.1-B50-B50-2-SW	B 50	-	B 50	-	M 6	M 10	76	76	125	98	98	55	GN 911-M10-55	975
GN 134.1-B30-V30-2-SW	B 30	-	-	V 30	M 4	M 8	50	50	79.5	68	68	33.5	GN 911-M8-32	314
GN 134.1-B40-V40-2-SW	B 40	-	-	V 40	M 5	M 10	76	76	125	98	98	55	GN 911-M10-55	773
GN 134.1-B50-V50-2-SW	B 50	-	-	V 50	M 6	M 10	76	76	125	98	98	55	GN 911-M10-55	891
GN 134.1-V30-V30-2-SW	-	V 30	-	V 30	M 4	M 8	50	50	79.5	68	68	33.5	GN 911-M8-32	300
GN 134.1-V40-V40-2-SW	-	V 40	-	V 40	M 5	M 10	76	76	125	98	98	55	GN 911-M10-55	920
GN 134.1-V50-V50-2-SW	-	V 50	-	V 50	M 6	M 10	76	76	125	98	98	55	GN 911-M10-55	969
GN 134.1-V30-B30-2-SW	-	V 30	B 30	-	M 4	M 8	50	50	79.5	68	68	33.5	GN 911-M8-32	300
GN 134.1-V40-B40-2-SW	-	V 40	B 40	-	M 5	M 10	76	76	125	98	98	55	GN 911-M10-55	946
GN 134.1-V50-B50-2-SW	-	V 50	B 50	-	M 6	M 10	76	76	125	98	98	55	GN 911-M10-55	980